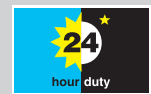


630SN/R, 630UN/R, 630DuN/R, 630S/R, 630U/R, 630Du/R pumps fitted with 620R pumphead for 3.2mm wall tubing

600 series Watson-Marlow Pumps

FEATURES AND BENEFITS

- Colour display and intuitive menu structures provide visual status indication and minimal key presses
- Flow rates from 0.001 L/min (0.0003 USGPM) to 16 L/min (4.25 USGPM)
- 620R twin roller pumphead for 3.2mm wall tubing
- 2650:1 speed control range from 0.1 to 265rpm in 0.1rpm increments
- Keypad incorporates 3-level security PIN lock
- IP31 (NEMA 2) and IP66 (NEMA 4X) cased pumps
- Dual voltage, 115V/230V 50/60Hz



Watson-Marlow...Innovation in Full Flow

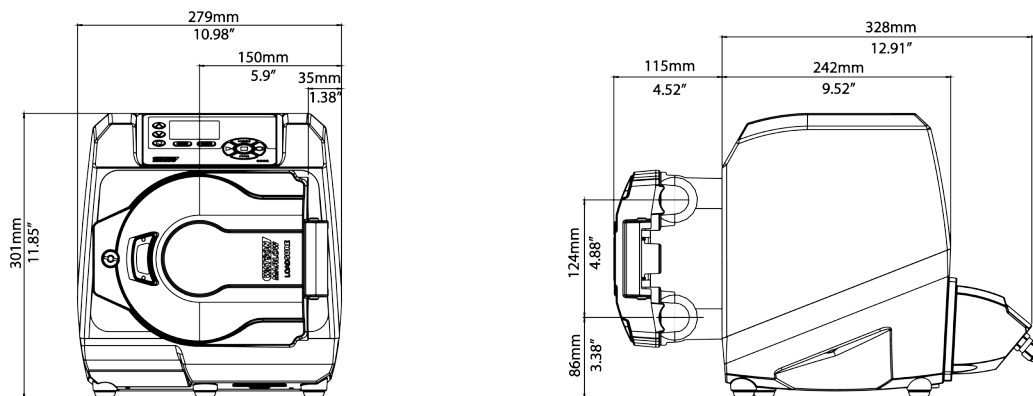
TECHNICAL DATA

Pump drives	630SN	630UN	630DuN	630S	630U	630Du
Manual control						
Intuitive keypad and colour display	•	•	•	•	•	•
Choice of flowrate or speed display	•	•	•	•	•	•
Full calibration with choice of flow units	•	•	•	•	•	•
Remote control						
Configurable Start/Stop, leak detector and pressure switch input (via contact closure or 5V TTL or 24V industrial logic)		•	•		•	•
Direction change and auto/manual toggle input (via contact closure or 5V TTL or 24V industrial logic)		•	•		•	•
Remote operation of MemoDose (foot/hand-switch or logic input)		•	•		•	•
Four configurable digital status outputs through 24V, 30W relays		•	•			
Software configurable logic outputs					•	•
Analogue speed control						
Fully configurable inputs; 0-10V or 4-20mA		•	•		•	•
Analogue outputs; 0-10V, 4-20mA		•	•		•	•
Keypad/analogue input scaling (replacement of diaphragm pumps)			•			•
Tacho frequency output; 0-1478Hz		•	•		•	•
Digital communication						
RS485 network control			•			
RS232 network control						•
Security						
3-level Security PIN lock	•	•	•	•	•	•

PERFORMANCE

Tube bore and flow rates (L/min)	Speed	Continuous tubing, 620R (2 rollers)			
		6.4mm	9.6mm	12.7mm	15.9mm
Marprene® TL, Bioprene® TL	0.1 to 265rpm	0.001-3.4	0.003-6.6	0.004-11	0.005-12
Pumpsil®	0.1 to 265rpm	0.001-3.2	0.003-7.2	0.004-11	0.01-15
Gore® STA-PURE® Pump Tubing – Series PFL, Neoprene	0.1 to 265rpm	0.001-3.2	0.003-6.6	0.004-11	0.006-16

DIMENSIONS



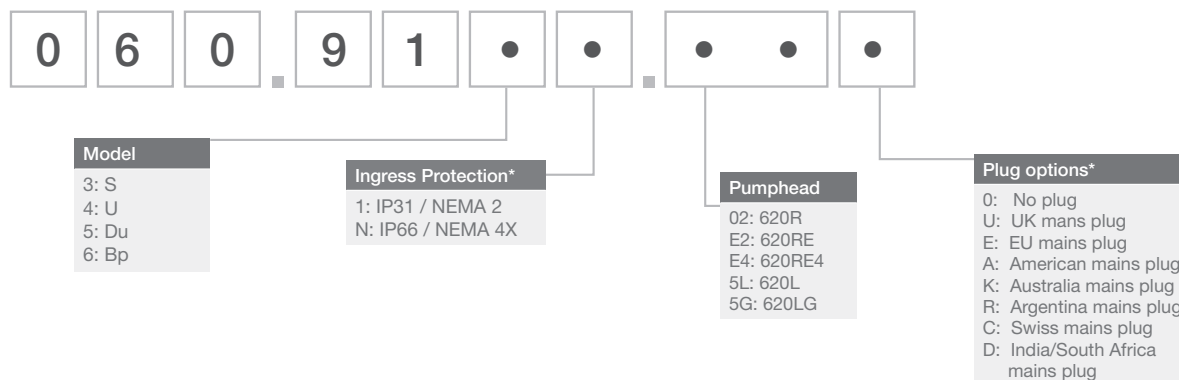
TECHNICAL SPECIFICATION

	630SN, 630UN, 630DuN	630S, 630U, 630Du
Ingress rating	IP66 / NEMA 4X	IP31 / NEMA 2
Enclosure	Watertight/dustproof	Wipe-down
Suitability	Corrosion-resistant for heavy industrial environments	Dry industrial environments with non-corrosive atmosphere
Humidity	(Non-condensing) 80% to 31C (88F), decreasing linearly to 50% at 40C (104F)	(Non-condensing) 80% to 31C (88F), decreasing linearly to 50% at 40C (104F)
Temperature	5C to 40C (41F to 104F)	5C to 40C (41F to 104F)
Pump weight	20.5kg (45lb 3oz)	19.6kg (43lb 3oz)
Speed control ratio	2650:1	2650:1
Torque rating	6Nm, continuous duty	6Nm, continuous duty
Noise	<70dB(A) at 1m	<70dB(A) at 1m
Standard	CE, cETLus	CE, cETLus
Power supply	100-120V/200-240V 1ph 50/60Hz 250VA	100-120V/200-240V 1ph 50/60Hz 250VA

MATERIALS OF CONSTRUCTION

Component	Material
Keypad	Polyester
Switch-plate	ABS PA-765
Rear blanking plate	Stainless steel 316
Drive casework	Pressure die-cast aluminium (top - LM6, base - LM24)
Case work coating	Exterior grade polyester powder coat
Drive shaft	Stainless steel 440C
Pumphead track	Powder coated aluminium LM24
Guard	Pressure die-cast aluminium LM24
Rotor hub, roller arms	Fortron 1140L4 (PPS)
Rotor cover	Dupont Hytel G5544
Rollers - main/guide	Stainless steel 303/Nylatron
Main roller bearings	Carbon steel
Tube clamp sets	Polypropylene

ORDER INFORMATION



*IP66 / NEMA 4X pumps are supplied with no plug or an American, Australia, Argentina, Swiss or South Africa mains plug

	Continuous tubing			
	6.4mm	9.6mm	12.7mm	15.9mm
GORE® STA-PURE® Pump Tubing – Series PFL	965.0064.032	965.0096.032	965.0127.032	965.0159.032
GORE® STA-PURE® Pump Tubing – Series PCS	960.0064.032	960.0096.032	960.0127.032	960.0159.032
Bioprene® TL	933.0064.032	933.0096.032	933.0127.032	933.0159.032
Marprene® TL	902.0064.032	902.0096.032	902.0127.032	902.0159.032
Pumpsil®	913.A064.032	913.A096.032	913.A127.032	913.A159.032
Neoprene	920.0064.032	920.0096.032	920.0127.032	920.0159.032

All flow rates shown were obtained pumping water at 20C (68F) with zero suction and delivery heads. Watson-Marlow, Pumpsil, PureWeld XL, Bioprene and Marprene are trademarks of Watson-Marlow Limited. Disclaimer: The information contained in this document is believed to be correct but Watson-Marlow Limited accepts no liability for any errors it contains, and reserves the right to alter specifications without notice. GORE and STA-PURE are trademarks of W. L. Gore & Associates. Please state the product code when ordering pumps and tubing.

**WATSON
MARLOW
Pumps**

wmftg.com
info@wmftg.com
+44 (0) 1326 370370