

ISO-13709, API 610, 10th Edition, OH6 pump



LMV/BMP-311



The LMV/BMP-311 is a gear-driven centrifugal pump, designed for maximum performance and reliability.

- Flows to 400 gpm (91 m³/hr)
- Heads to 6,300 ft (1,921 m)

Available in vertical or base-mounted configurations, this pump is engineered for critical high-head, low-flow, heavy-duty services within the Refining, Chemical, Petrochemical, Power Generation, Gas Production and Specialty Processing industries.

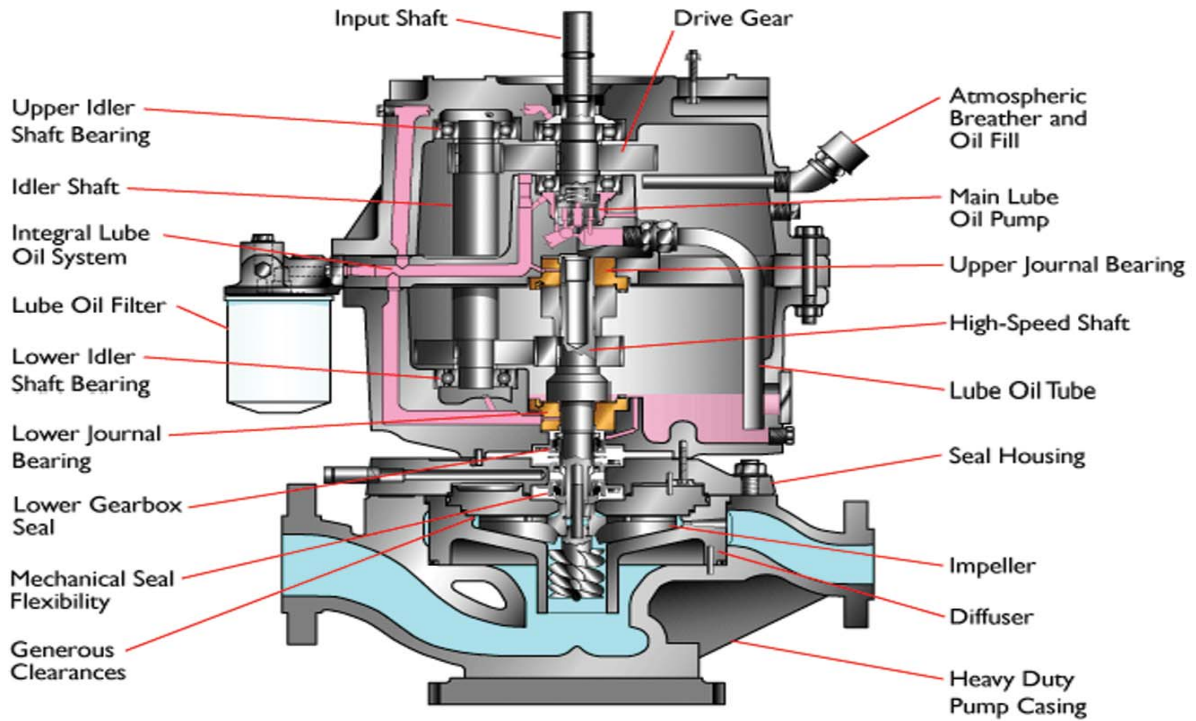
APPLICATIONS

- Alkylation
- Isomerization
- Hydro Cracking
- Hydrogen
- Sulfur Plants
- Amine / CO₂
- Hydrocracker
- Coker
- Hydrotreater
- Gasification
- Isomerization
- Fuel & Flammable Liquids
- Catalytic Cracking
- Tank Farm Transfer
- Fuel Forwarding
- Hydrotreating
- Charge
- Reflux
- Wash Water
- Reactor Feed
- Transfer
- LPG product
- High Pressure Circulation
- Pipeline Boost
- Injection
- Heater Charge
- Boiler Feed
- Desuperheating
- Condensate
- Fuel Feed
- NOx

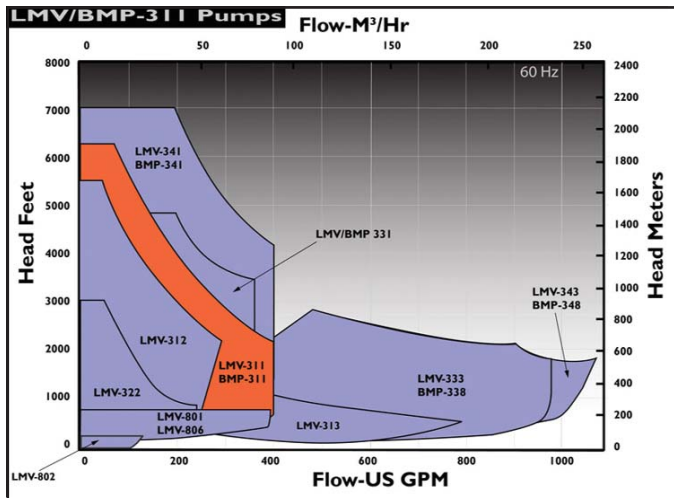
Specifications

Heads To	100 to 6,300ft	32 to 1,921m
Flows To	0 to 400gpm	0 to 91m ³ /hr
Max Power	200 150	
Temp Range	-200 to 650°F	-130 to 340°C
Number of Stages	1.0	
Max Case Working Pressure	1,260 psi (155 kg/cm ²)	
Max Suction Pressure	1,000psi (71kg/cm ²)	
Differential Head	6,300 ft 1,921m	
HP Dependent on Diff. Head	200 hp 150 KW	
Standard Delivery	8 Weeks	
Speed Range	6,000 to 20,000rpm - 60Hz	
Materials of Construction	(see www.sundyne.com)	
Bearing Materials Available	Ball Bearings, Journal Bearings	
Hydrotest Pressure	3,240 psi 225 kg/cm ²	
Max Viscosity	750 cp	
Industry Standard	API-610	
Solids Range	0.015" (0.381mm), 400 microns	
Mounting Configurations	Vertical / Horizontal	
Number of Available Hydraulics...	1.0	
Seal Configurations Available	Single, Double, Tandem	
Available Inducer	Yes	
Available Flanges	600# ANSI RF, 900# optional (600#, 900# RJ)	
Pump Case Corrosion Allowance	0.125" (3.17mm)	
Suction and Discharge Size	3" X 2"	
API Plans for Sundyne Pumps	11, 12, 13, 21, 23, 31, 32, 41, 52, 53, 54, 61, 62, J	





PERFORMANCE



CUSTOMERS AROUND THE WORLD CONSISTENTLY ASK



Custom engineered skid-packages are designed to work in the harshest environments including refineries and off-shore platforms. Sundyne tailors a highly reliable solution (in a small footprint) to meet your most demanding flow control specifications.



Visit our website at: www.sundyne.com

Sundyne Corporation 14845 W. 64th Ave. Arvada, CO 80007 USA 1-866-SUNDYNE (US and Canada), Ph: 1-303-425-0800 Fax: 1-303-425-0896

Sundstrand International S.A. 13-15, Boulevard Eiffel - B.P. 30 21604 Longvic Cedex France Ph: +33 380 38 33 00 Fax: +33 380 38 33 66

Sundyne Marelli Ctra. Madrid-Toledo, Km.30.8 45200 Illescas Toledo, Spain Ph: +34 925 53 45 00 Fax: +34 925 51 16 00

Sundyne HMD Kontro Brampton Road Hampden Park Industrial Estate Eastbourne East Sussex, BN22 9AN Great Britain Ph: +44 1323 452000 Fax: +44 1323 503369

Sundyne Asia Japan Co., Ltd. Odakyu Dai-Ichi Seimei Bldg. 6F 2-7-1, Nishi-Shinjuku Shinjuku-ku, Tokyo 163-0706 Japan Ph +81-3-3344-0911 Fax +81-3-3344-0912

© 2011 Sundyne Corporation All rights reserved. LMV/BMP-311; POD 123-2011