

ZUU-50

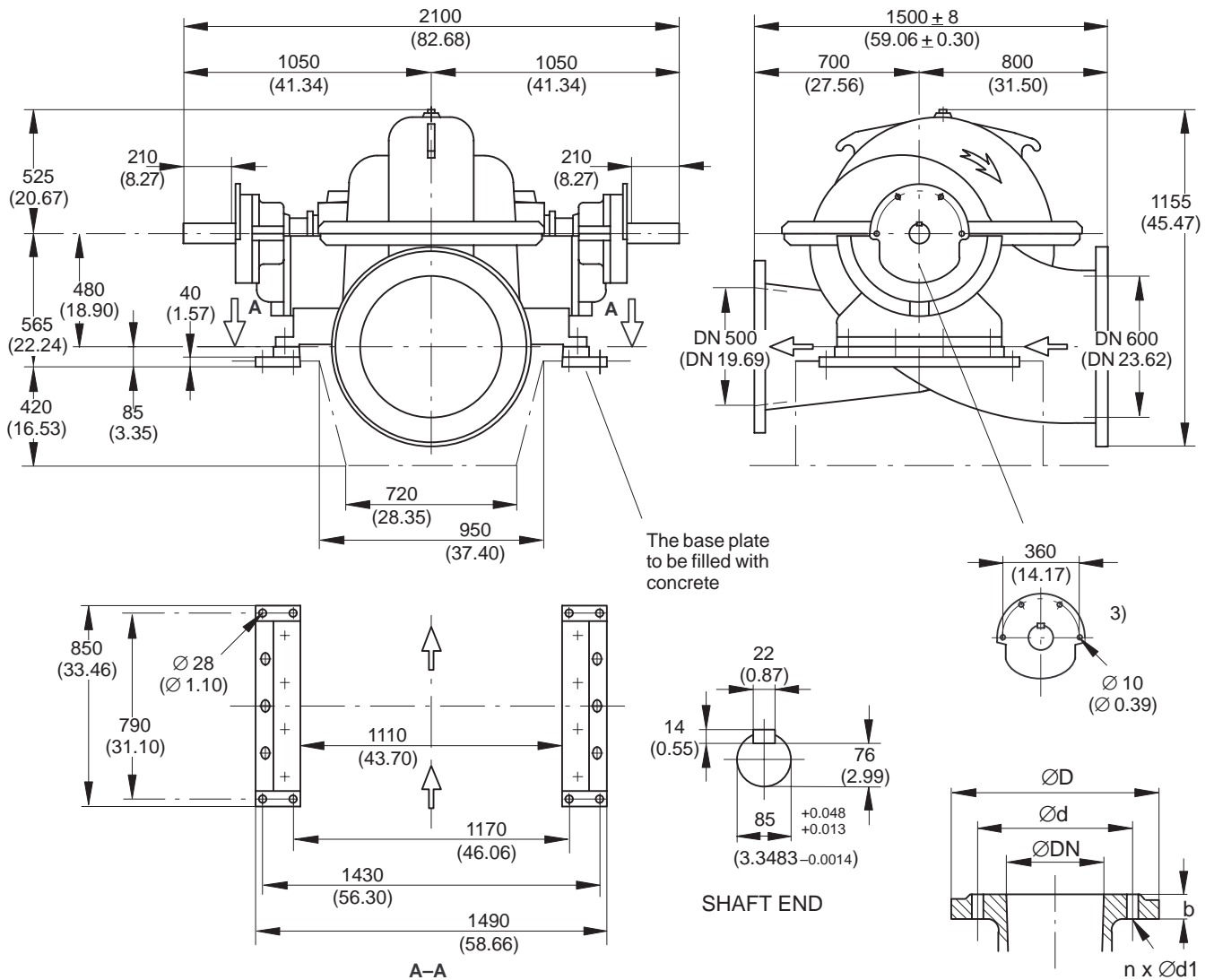
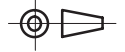
Dimensional drawing

SULZER

COPYRIGHT © AHLSTROM PUMPS CORP.

030930 / Replaces 981201 / en / P02131

Dimensions in mm (inch)
DUAL DRIVE



		Drilling of flanges																		
		ISO 7005-1 PN 10			ISO 7005-1 PN 16			JIS B 2238 10K JIS B 2239 10K			JIS B 223816K JIS B 223916K			ANSI B 16.1 class 125			ASME B 16.5 class 150			
DN	D	b	d	d1	n	d	d1	n	d	d1	n	d	d1	n	d	d1	n	d	d1	n
500 (19.69)	730 (28.74)	47 (1.85)	620 (24.41)	26 (1.02)	20	650 (25.59)	32,5 (1.30)	20	620 (24.41)	27 (1.06)	20	660 (25.98)	33 (1.30)	20	(25.00)	(1.25)	20	(25.00)	(1.25)	20
600 (23.62)	845 (33.27)	51 (2.01)	725 (28.54)	29,5 (1.16)	20	770 (30.31)	35,5 (1.40)	20	730 (28.74)	33 (1.30)	24	770 (30.31)	39 (1.54)	24	(29.50)	(1.38)	20	(29.50)	(1.38)	20

Weight ¹⁾		Mass inertia moment ²⁾	
m = 2715 kg		J = 4,6 kgm ²	
(m = 5985 lb)		(WR ² = 109.2 lbf ²)	

The right to any alternation in dimensions without an advance notice is reserved.

1) Mass is without coupling and motor.

2) Mass inertia moment J= kgm²

3) Holes for fastening the guard